

**VALVOLA A SFERA A 3 VIE IN OTTONE A PASSAGGIO INTEGRALE A "L" (VK31) E A "T" (VK32)
3 WAYS "L" (VK31) AND "T" (VK32) PORT FULL BORE BRASS
BALL VALVE**

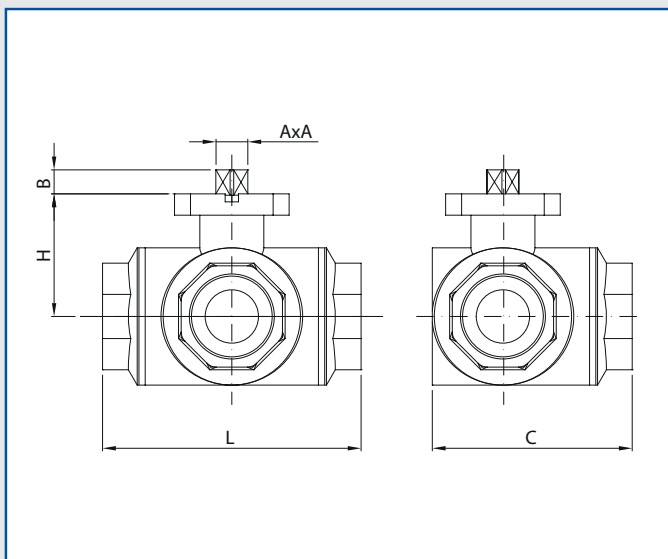


SERIES VK31 VK32



CARATTERISTICHE

1. Valvola a Sfera a 3 vie a Passaggio Totale in Ottone
2. Sfera a "L" o a "T"
3. Filettate secondo UNI ISO 228
4. Costruita in Ottone
5. Seggi in PTFE
6. O-Ring in Viton 70 SH
7. Flangia per montaggio diretto attuatore secondo ISO 5211
8. Sistema di Antiespulsione
9. Max pressione di esercizio: 30 Kg/cm² (fino a 3/4"), 20 Kg/cm² (fino a 1 1/4"), 16 Kg/cm² (fino a 2")
10. Temperatura di esercizio: -20°C +120°C – prevedere distanziali ove necessario



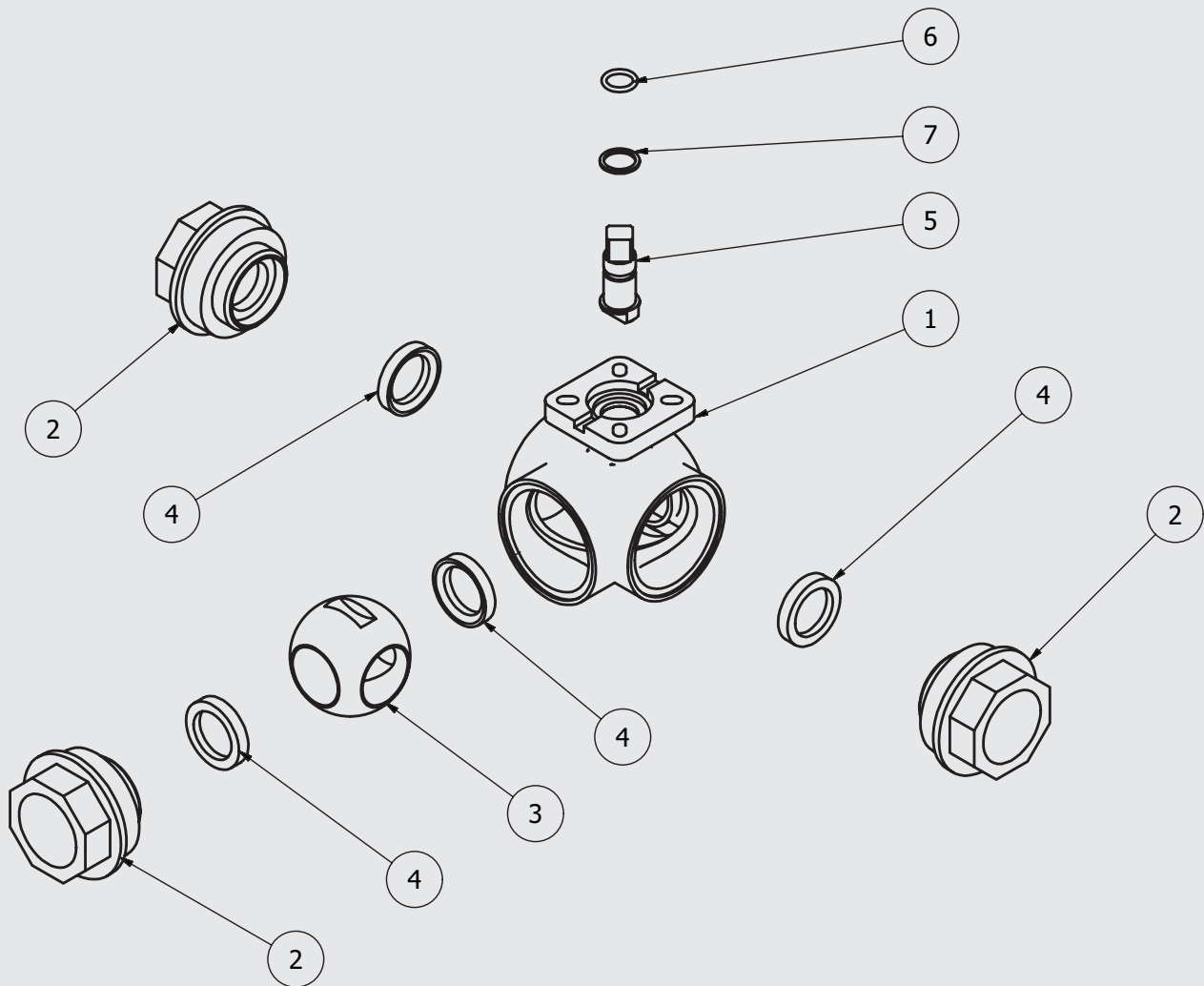
FEATURES

1. 3 way Full Port brass ball valve
2. "L" or "T" Port
3. Thread ends according UNI ISO 228
4. Made in Brass
5. Ball seats PTFE
6. Viton 70 SH O-Ring
7. Direct mounting actuator ISO 5211
8. Blow-out proof stem
9. Max. working pressure 30 Kg/cm² (up to 3/4"), 20 Kg/cm² (up to 1 1/4"), 16 Kg/cm² (up to 2")
10. Working Temperature -20 °C + 120 °C – please use mounting kits where needed

DIMENSIONI E CONNESSIONI / DIMENSIONS & CONNECTIONS

| Part n° | Size | DN (mm) | PN (kg/cm ²) | C (mm) | L (mm) | H (mm) | AxA (mm) | B (mm) | ISO 5211 |
|--------------|--------|---------|--------------------------|--------|--------|--------|----------|--------|----------|
| PV02-VK3aM14 | 1/4" | 8 | 30 | 50,5 | 65 | 30 | 9x9 | 10 | F03 |
| PV02-VK3aI38 | 3/8" | 10 | 30 | 50,5 | 65 | 30 | 9x9 | 10 | F03 |
| PV02-VK3aA12 | 1/2" | 15 | 30 | 61 | 78 | 33 | 9x9 | 10 | F03 |
| PV02-VK3aB34 | 3/4" | 20 | 30 | 69,5 | 87 | 42 | 11x11 | 12 | F05 |
| PV02-VK3aC10 | 1" | 25 | 20 | 84,5 | 105 | 47 | 11x11 | 12 | F05 |
| PV02-VK3aD13 | 1 1/4" | 32 | 20 | 95 | 118 | 52 | 11x11 | 12 | F05 |
| PV02-VK3aE15 | 1 1/2" | 40 | 16 | 110 | 134 | 70 | 14x14 | 16 | F07 |
| PV02-VK3aF20 | 2" | 50 | 16 | 134,5 | 161 | 79,5 | 14x14 | 16 | F07 |

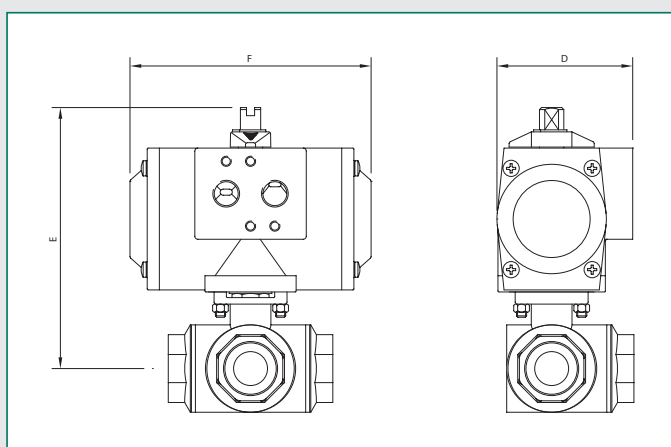
To complete the code, replace "a" with 1= "L" valve; 2= "T" valve



MATERIALI / MATERIALS

| N° | Articolo | Material | Item |
|----|-----------------------------|----------|--------------------------|
| 1 | Corpo in ottone cromato | CW617N | Chrome Plated brass body |
| 2 | Manicotto in ottone cromato | CW617N | Chrome Plated brass end |
| 3 | Sfera in ottone cromato | CW617N | Chrome Plated brass ball |
| 4 | Sedi laterali | PTFE | Ball seat |
| 5 | Stelo in ottone nichelato | CW614N | Nickel plated stem |
| 6 | O Ring | Viton | O Ring |
| 7 | Anello antifrizione | PTFE | Thrust washer |

VALVOLA A SFERA A 3 VIE IN OTTONE CON ATTUATORE PNEUMATICO 3 WAYS BRASS BALL VALVE WITH PNEUMATIC ACTUATOR



CARATTERISTICHE

- Attuatore Pneumatico a Doppio o Semplice Effetto avente le stesse dimensioni di ingombro
- Disponibile in Tecnopolimero, in Alluminio o in Acciaio Inox AISI 316
- Pressione di alimentazione: 2÷8 bar (per Tecnopolimero) – 2÷10 Bar (per Alluminio e Inox)
- Temperatura di esercizio: -20°C +80°C (per Alluminio e Inox disponibile anche per Alte e Basse temperature)

FEATURES

- Double Acting or Spring Return actuators with same compact dimensions
- Available in Techno-polymer, in Aluminum or in Stainless Steel AISI 316
- Working Pressure: 2÷8 bar (for Techno-polymer) – 2÷10 Bar (for Aluminum and Stainless Steel)
- Working Temperature: -20°C +80°C (Aluminum and Stainless Steel units are also available in Low temp or High Temp configuration)

A RICHIESTA

- Elettrovalvole NAMUR
- Box Fine Corsa
- Posizionatori
- Riduttori Sganciabili
- Attuatori Elettrici

OPTIONAL

- NAMUR Solenoid Valves
- Limit Switch Boxes
- Positioners
- Declutchable Gear Boxes
- Electric Actuators

Gli attuatori sono dimensionati per applicazioni normali e pressione di alimentazione di almeno 5.62 Bar. Emme Technology Srl si riserva il diritto di cambiare o modificare le caratteristiche tecniche di prodotto senza preavviso e senza incorrere nell'obbligo di apportare tali modifiche sui prodotti precedentemente o successivamente venduti.

Dimensioni con Attuatore in Tecnopolimero a Doppio Effetto Dimensions with Double Acting Techno-polymer Actuator

| Part n° | Size | DN | PN | D | E | F |
|----------------|--------|----|----|-----|-----|-----|
| UT10DE-VK3aM14 | 1/4" | 8 | 30 | 67 | 130 | 119 |
| UT10DE-VK3aI38 | 3/8" | 10 | 30 | 67 | 130 | 119 |
| UT10DE-VK3aA12 | 1/2" | 15 | 30 | 67 | 130 | 119 |
| UT10DE-VK3aB34 | 3/4" | 20 | 30 | 67 | 134 | 119 |
| UT10DE-VK3aC10 | 1" | 25 | 20 | 67 | 138 | 119 |
| UT13DE-VK3aD13 | 1 1/4" | 32 | 20 | 86 | 179 | 160 |
| UT18DE-VK3aE15 | 1 1/2" | 40 | 16 | 101 | 196 | 175 |
| UT18DE-VK3aF20 | 2" | 50 | 16 | 101 | 207 | 175 |

Dimensioni con Attuatore in Tecnopolimero a Semplice Effetto Dimensions with Spring Return Techno-polymer Actuator

| Part n° | Size | DN | PN | D | E | F |
|----------------|--------|----|----|-----|-----|-----|
| UT13S3-VK3aM14 | 1/4" | 8 | 30 | 86 | 149 | 160 |
| UT13S3-VK3aI38 | 3/8" | 10 | 30 | 86 | 149 | 160 |
| UT13S3-VK3aA12 | 1/2" | 15 | 30 | 86 | 149 | 160 |
| UT13S4-VK3aB34 | 3/4" | 20 | 30 | 86 | 153 | 160 |
| UT18S3-VK3aC10 | 1" | 25 | 20 | 101 | 179 | 175 |
| UT18S5-VK3aD13 | 1 1/4" | 32 | 20 | 101 | 201 | 175 |

Valvole maggiori non disponibili con attuatori in tecnopolimero
Bigger sizes not available with techno-polymer actuators

Dimensioni con Attuatore in Alluminio a Doppio Effetto Dimensions with Double Acting Aluminum Actuator

| Part n° | Size | DN | PN | D | E | F |
|----------------|--------|----|----|----|-----|-----|
| MT05DE-VK3aM14 | 1/4" | 8 | 30 | 67 | 140 | 119 |
| MT05DE-VK3aI38 | 3/8" | 10 | 30 | 67 | 140 | 119 |
| MT05DE-VK3aA12 | 1/2" | 15 | 30 | 67 | 140 | 119 |
| MT05DE-VK3aB34 | 3/4" | 20 | 30 | 67 | 144 | 119 |
| MT05DE-VK3aC10 | 1" | 25 | 20 | 67 | 149 | 119 |
| MT15DE-VK3aD13 | 1 1/4" | 32 | 20 | 81 | 181 | 175 |
| MT17DE-VK3aE15 | 1 1/2" | 40 | 16 | 81 | 176 | 207 |
| MT17DE-VK3aF20 | 2" | 50 | 16 | 81 | 186 | 207 |

Dimensioni con Attuatore in Alluminio a Semplice Effetto Dimensions with Spring Return Aluminum Actuator

| Part n° | Size | DN | PN | D | E | F |
|----------------|--------|----|----|-----|-----|-----|
| MT15S3-VK3aM14 | 1/4" | 8 | 30 | 81 | 150 | 175 |
| MT15S3-VK3aI38 | 3/8" | 10 | 30 | 81 | 150 | 175 |
| MT15S3-VK3aA12 | 1/2" | 15 | 30 | 81 | 150 | 175 |
| MT15S4-VK3aB34 | 3/4" | 20 | 30 | 81 | 154 | 175 |
| MT17S5-VK3aC10 | 1" | 25 | 20 | 81 | 159 | 207 |
| MT20S5-VK3aD13 | 1 1/4" | 32 | 20 | 96 | 198 | 186 |
| MT25S5-VK3aE15 | 1 1/2" | 40 | 16 | 96 | 193 | 248 |
| MT30S5-VK3aF20 | 2" | 50 | 16 | 114 | 223 | 241 |

To complete the code, replace a with 1= "L" valve; 2= "T" valve

Actuators are sized for normal conditions based on supply air pressure of at least 5.62 Bar (80 PSI). Emme Technology Srl reserves the right to change or modify products without prior notice and without incurring any obligation to make such changes on products previously or subsequently sold.

VALVOLA A SFERA A 3 VIE IN OTTONE CON ATTUATORE ELETTRICO 3 WAYS BRASS BALL VALVE WITH ELECTRIC ACTUATOR

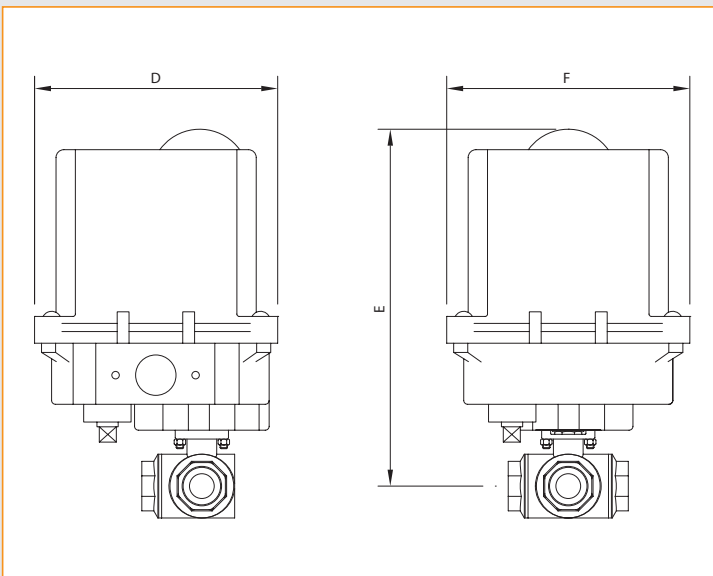


CARATTERISTICHE

1. Design compatto
2. Base in alluminio verniciato ed ingranaggi in metallo
3. Grado di protezione IP67
4. Con manuale d'emergenza
5. 2 fine corsa standard
6. A richiesta con posizionatore
7. Temperatura di esercizio: -10°C +60°C

FEATURES

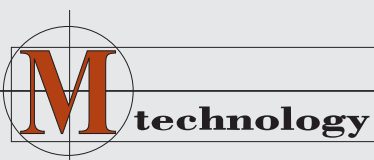
1. Compact Design
2. Epoxy coated die cast aluminum base and metal gears
3. Protection degree: IP67
4. With manual override
5. With n°2 switches as standard
6. On request: positioner
7. Working Temperature: -10°C +60°C



| Part n° | SIZE | DN | PN | D | E | F |
|---------------|--------|----|----|-----|-----|-----|
| AE01*-VK3aM14 | 1/4" | 8 | 30 | 120 | 187 | 127 |
| AE01*-VK3aI38 | 3/8" | 10 | 30 | 120 | 187 | 127 |
| AE01*-VK3aA12 | 1/2" | 15 | 30 | 120 | 187 | 127 |
| AE01*-VK3aB34 | 3/4" | 20 | 30 | 120 | 191 | 127 |
| AE01*-VK3aC10 | 1" | 25 | 20 | 120 | 196 | 127 |
| AE01*-VK3aD13 | 1 1/4" | 32 | 20 | 120 | 211 | 127 |
| AE02*-VK3aE15 | 1 1/2" | 40 | 16 | 120 | 219 | 127 |
| AE02*-VK3aF20 | 2" | 50 | 16 | 120 | 223 | 127 |

To complete the code, replace "a" with 1= "L" valve; 2= "T" valve

*Diverse tensioni disponibili - Various voltages available



Emme technology S.r.l.

Via Socrate, 10 - 20864 Agrate Brianza (MB) - Italy
Tel. (+39) 039 9020 000 - Fax (+39) 039 9020 001